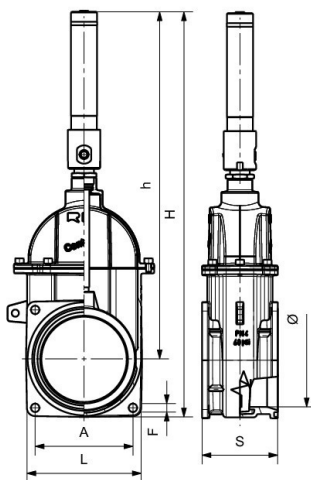




RIV 34

Great capacity two-flange piston gate valve
with double-acting hydraulic jack
with O-ring gaskets

Tech drawings and tables



DN	Code	Ø	H	h	S	L	F	A	PN	KG	P/box
6"	050034000019	143	621	532	116	180	13	150	4bar - 60psi	12,288	1

Advantages

It represents the evolution of the "Diamante" gate valve, with its modern, strong, attractive and particularly functional shapes.

It offers the same great containing volume, a solution that prevents from clogging.

The cap with its wide and linear profile up to the top optimizes the largest capacity.

"CENTURION" is the most capacious gate valve, among the similar ones present on the market.

The connection between body and cap is obtained through practical stainless steel screws, which make the dismantling operations for cleaning and maintenance easier.

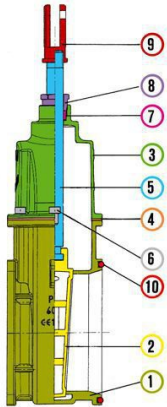
Thanks to the new design the gate valve can be installed even in tighter spaces.

Larger wedge to have a better tightness.

In accordance with 97/23/CE (PED) Directive.

Technical data

RIV 30



Materials			
1	Body	Brass	CB754S
2	Wedge	Brass	CB754S
3	Cap	Brass	CB754S
4	Gasket	Fibre	
5	Stem	Brass	CW614N
6	Screw	Stainless Steel	AISI 304
7	Tow packing	Fibre	
8	Stuffing-Box	Brass	CW614N
9	Fork	Brass	CW617N
10	O-Ring	NBR	

Connections	Square flange
Limit	-20°C (without liquid) +90°C
Notes	The max. working pressure (PN) means at a room temperature of about 23°C.